

Guidelines: 4x3 Curved Pop Up Graphic Specification

Panel Sizes:

673mm x 2235mm

Avoid lettering being cut by joins between panels if possible by adjusting kerning as necessary.

Approximately 50% of the (end) curved panels width maybe concealed from view, position text and images accordingly.

Add 2mm of bleed all round.

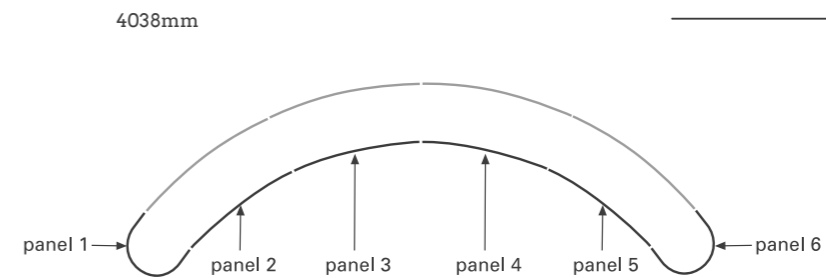
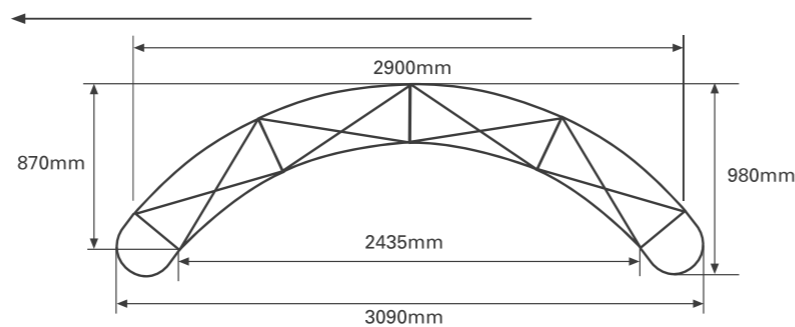
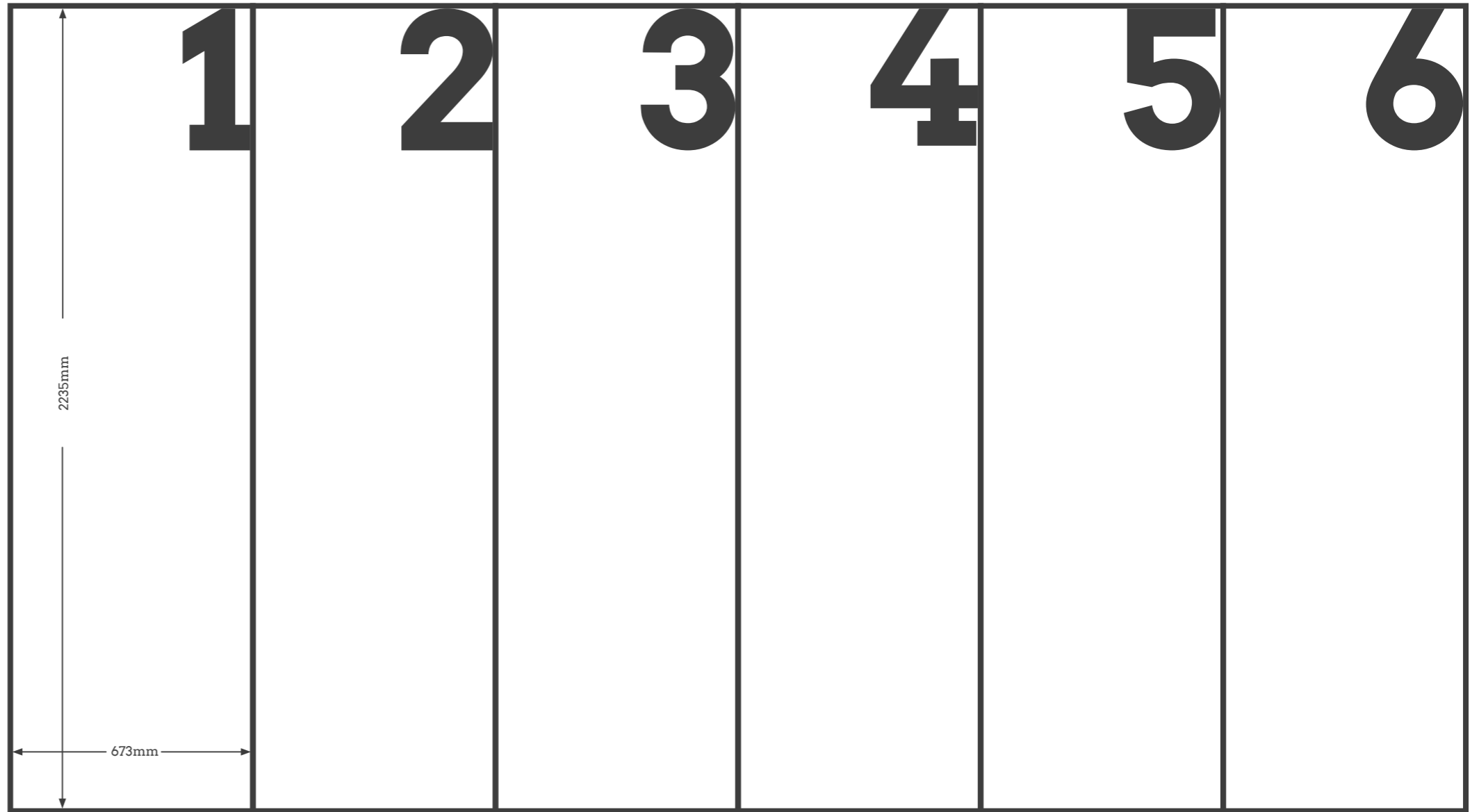
Include Crop Marks

Artwork should be in CMYK

Images should be 300dpi at full size

Please outline fonts, or send us font files with you artwork

Preferred file type: PDF



If you have any queries, please contact us:



Unit 16a Chalwyn Industrial Estate, Old Wareham Road, Poole, Dorset BH12 4PE

01202 715722
graphic.dept@jpdiscplays.com
www.jpdiscplays.com
@JPdiscplays